



Sky
Elevator
www.sky-elevator.com

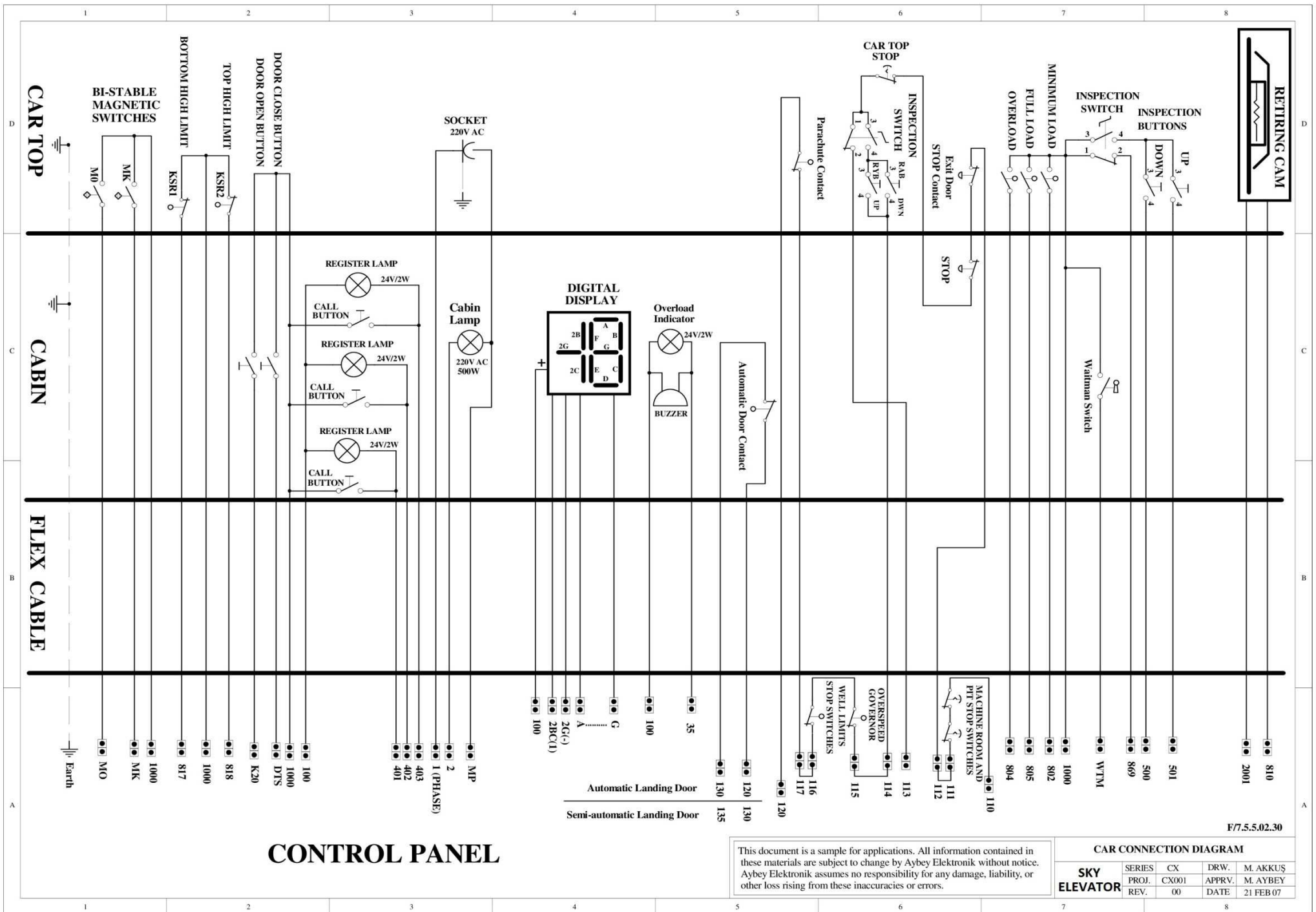


Sky-306 (CXA)

**ASANSÖR KUMANDA KARTLARI
KULLANIM KILAVUZU**

CX SERİ ASANSÖR KONTROL SİSTEMİ

V - 2.0

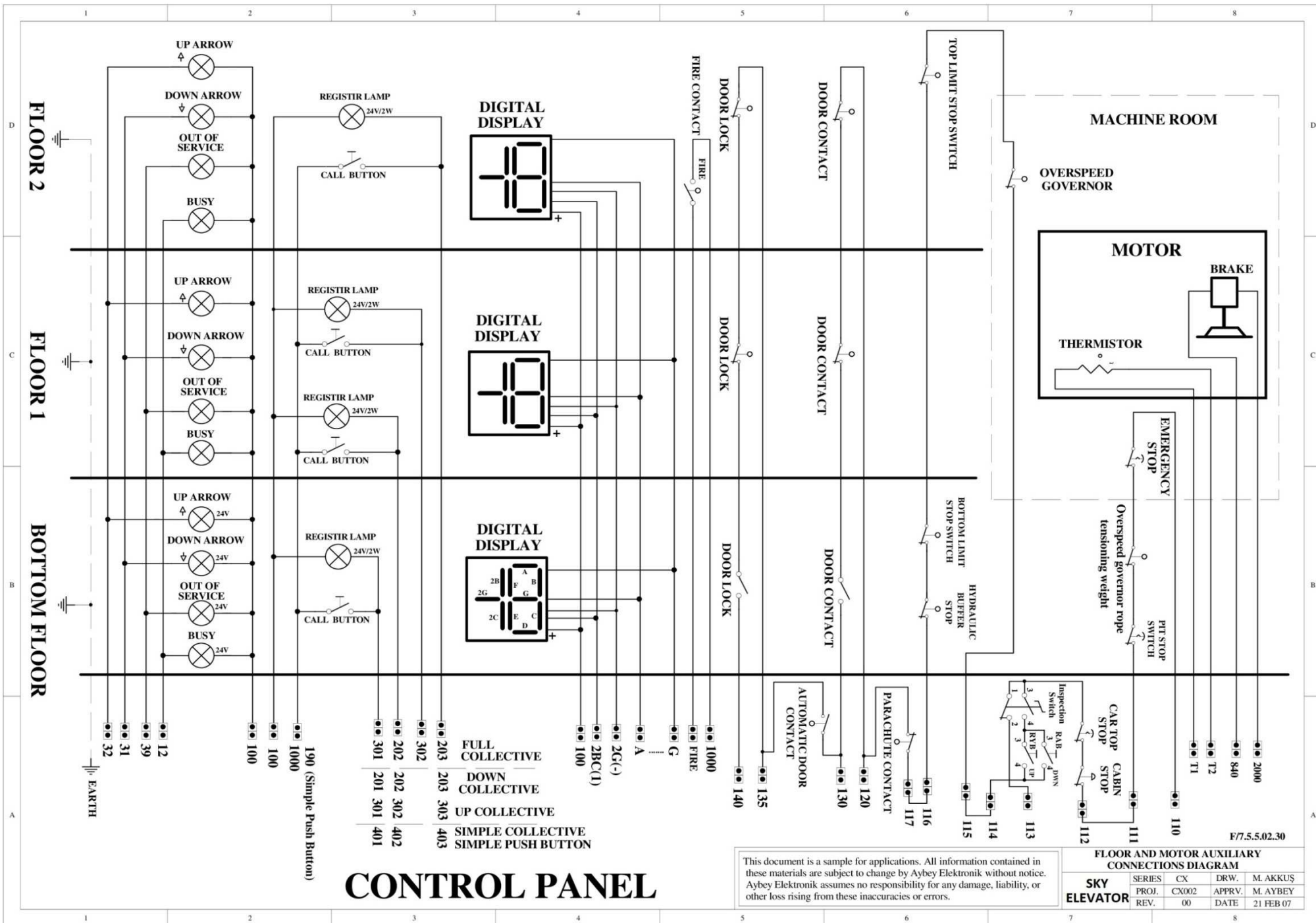


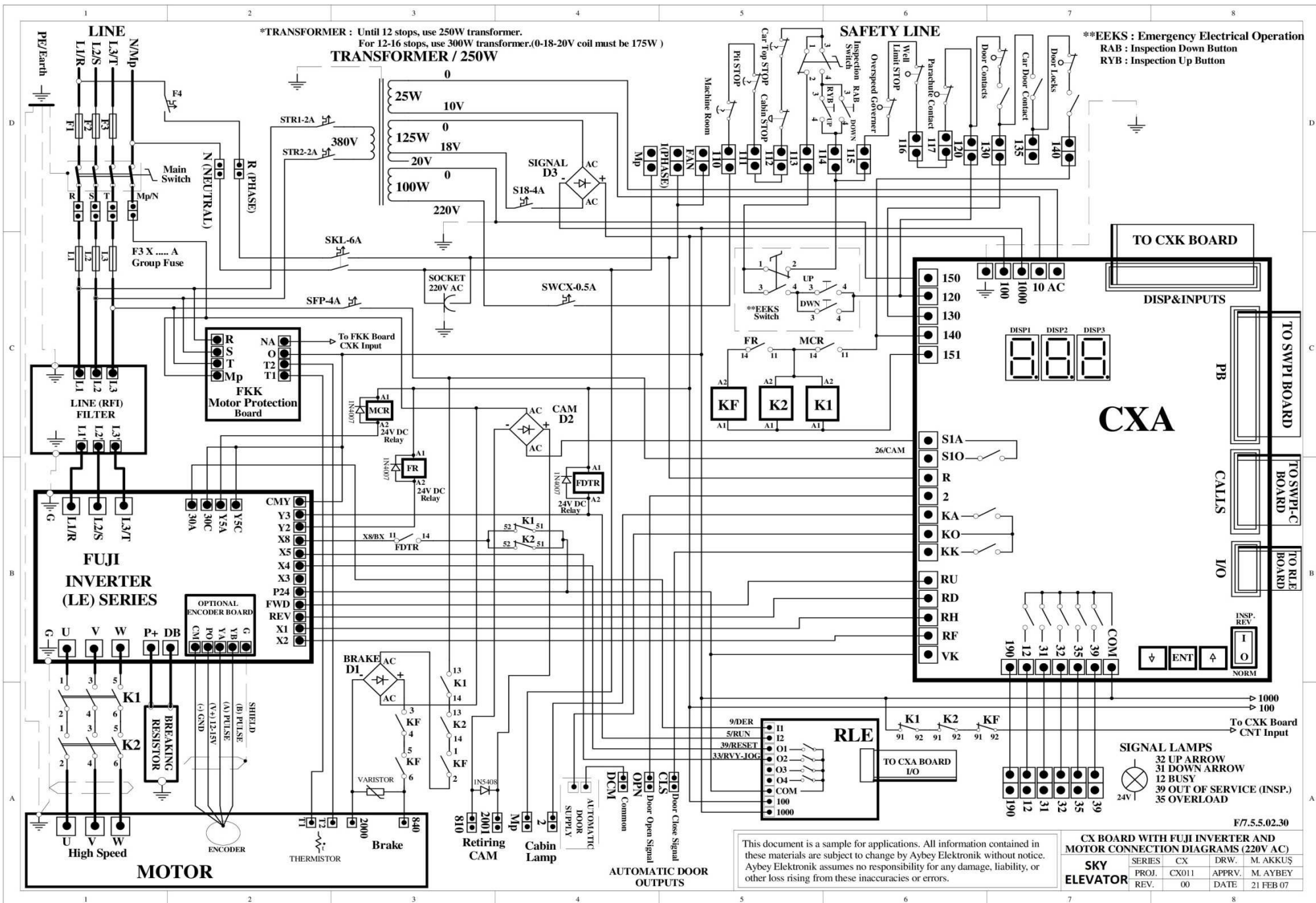
F/7.5.5.02.30

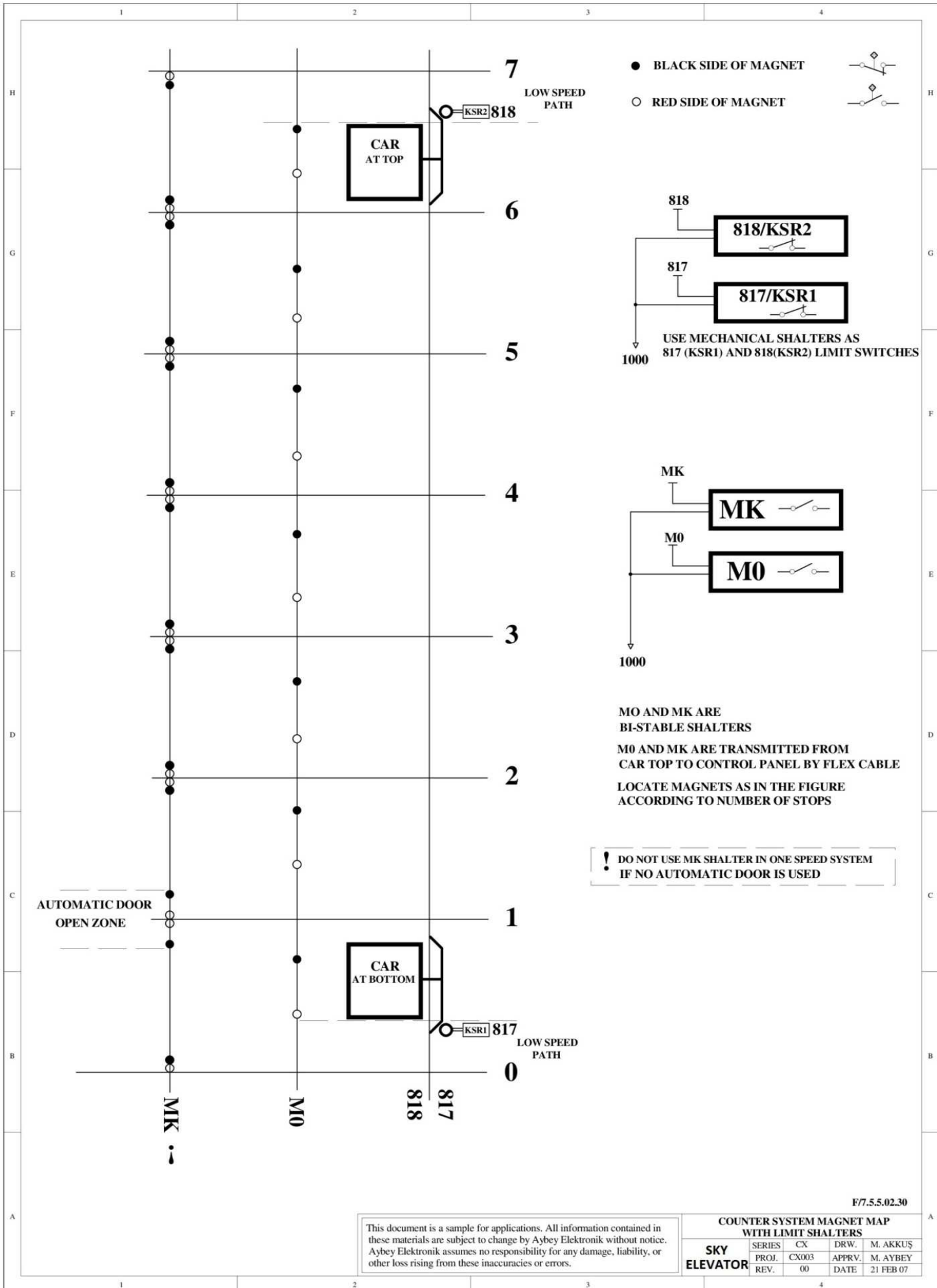
CONTROL PANEL

This document is a sample for applications. All information contained in these materials are subject to change by Aybey Elektronik without notice. Aybey Elektronik assumes no responsibility for any damage, liability, or other loss rising from these inaccuracies or errors.

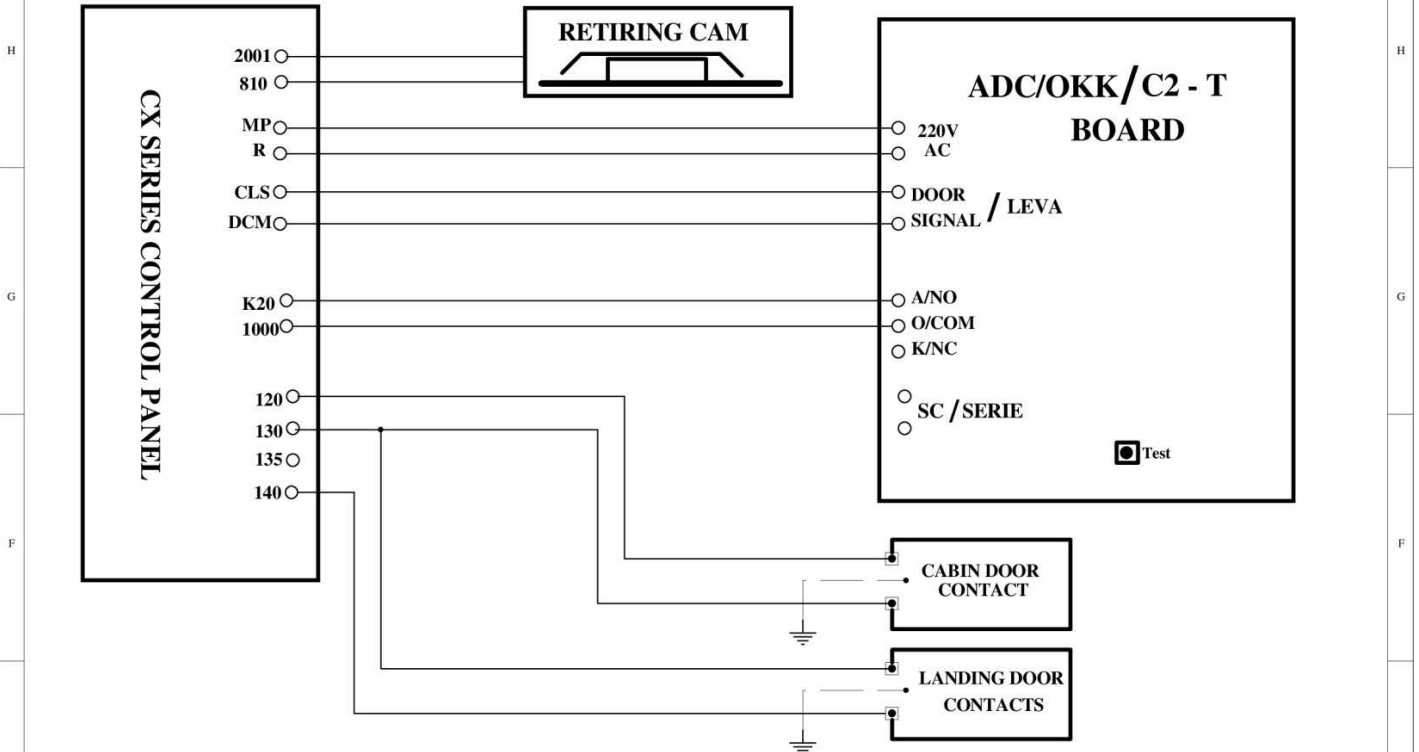
CAR CONNECTION DIAGRAM				
SKY ELEVATOR	SERIES	CX	DRW.	M. AKKUŞ
	PROJ.	CX001	APPRV.	M. AYBEY
	REV.	00	DATE	21 FEB 07



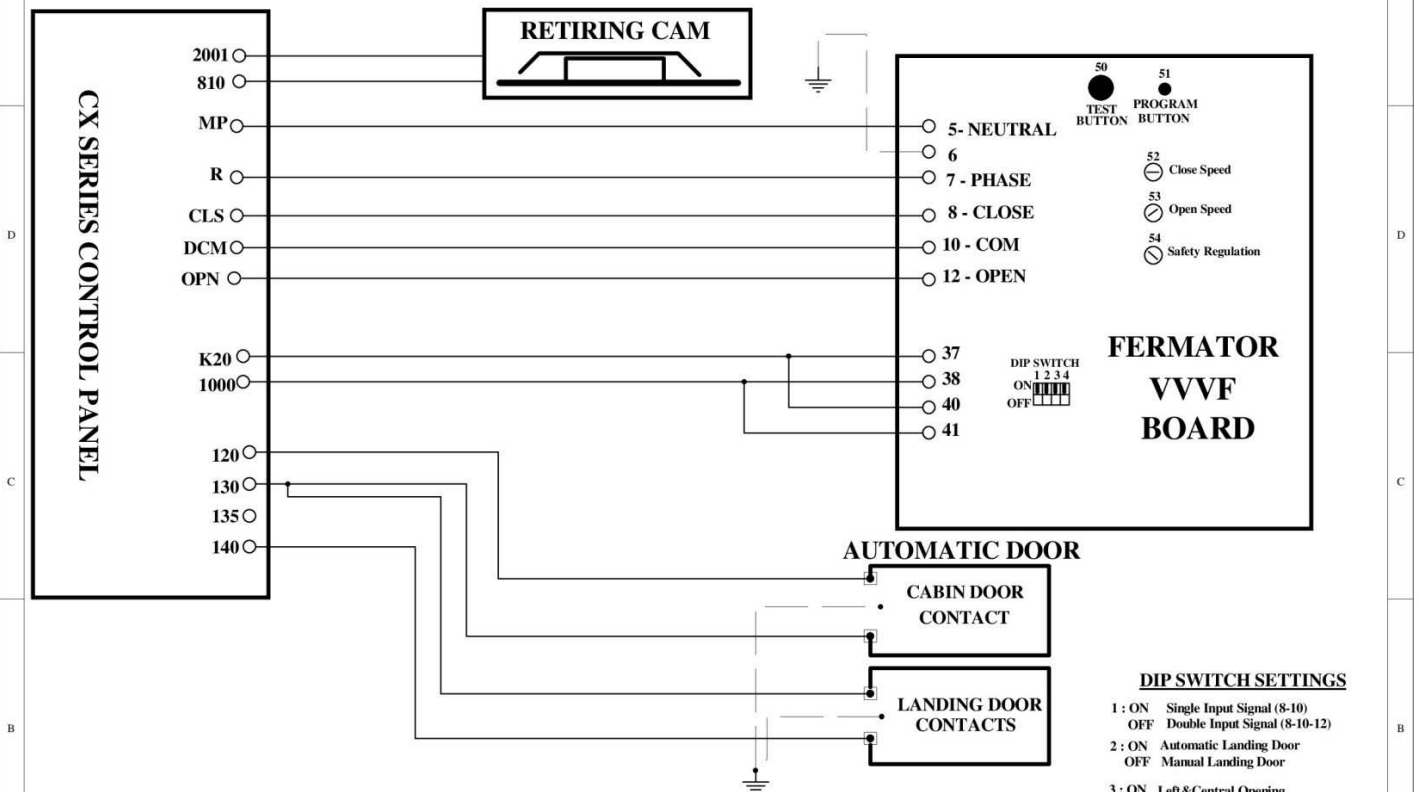




CX SERIES CONTROL PANEL AND FERMATOR 40/10 DOOR CONNECTION DIAGRAM



CX SERIES CONTROL PANEL AND VVVF BOARD CONNECTION DIAGRAM



DIP SWITCH SETTINGS

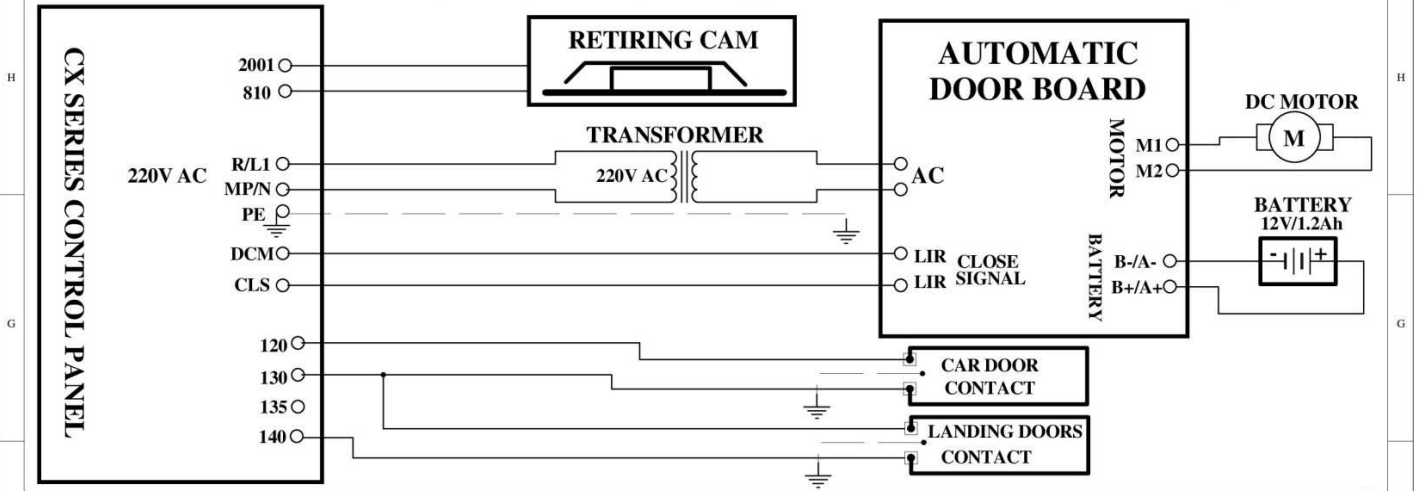
- 1 : ON Single Input Signal (8-10)
OFF Double Input Signal (8-10-12)
- 2 : ON Automatic Landing Door
OFF Manual Landing Door
- 3 : ON Left&Central Opening
OFF Right Opening
- 4 : ON Automatic Self Control (MASTER)
OFF Manual Control (SLAVE)

- 1) CAM terminals (2001-810) are not used if car and landing doors are full-automatic
- 2) If cabin door is automatic and landing doors are manual then:
 Landing door contacts are serially connected to 120-130 terminals.
 Car door contacts are serially connected to Car door contact (130-135) terminals.
 Landing door lock contacts are serially connected to Car door contact (135-140) terminals.

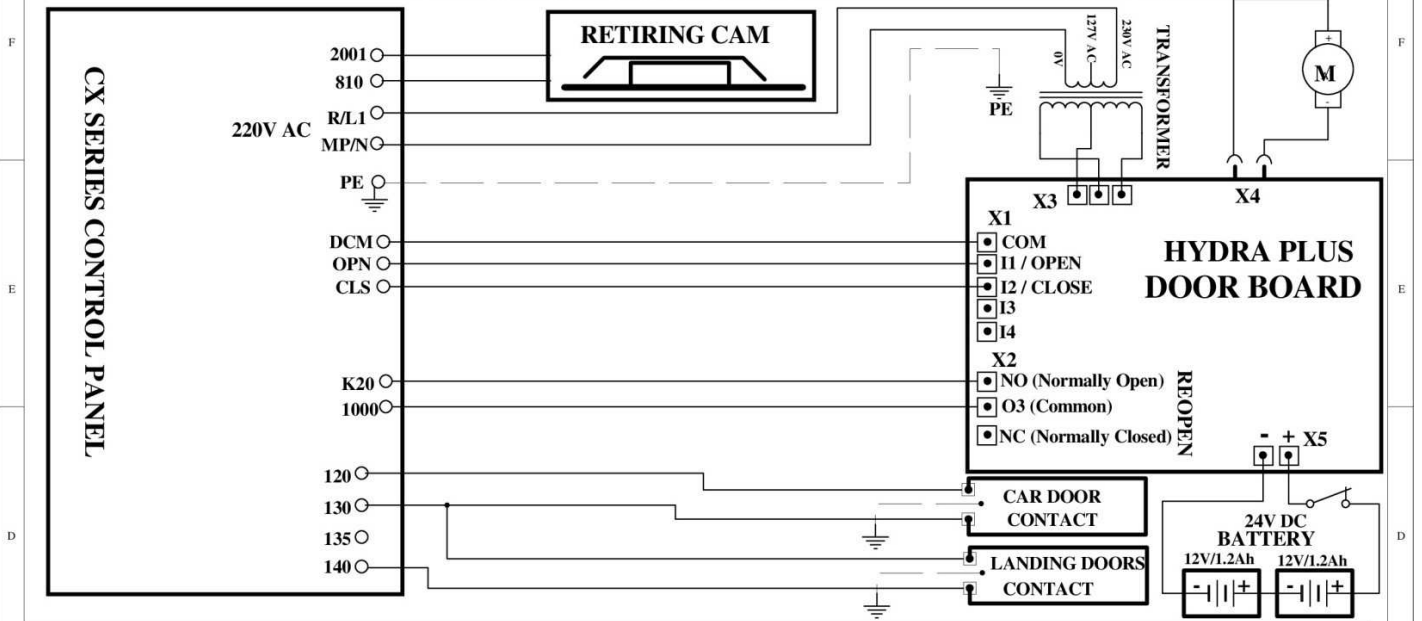
This document is a sample for applications. All information contained in these materials are subject to change by Aybey Elektronik without notice. Aybey Elektronik assumes no responsibility for any damage, liability, or other loss rising from these inaccuracies or errors.

F/7.5.02.30			
CX CONTROL PANEL AND FERMATOR DOOR CONNECTION DIAGRAM			
SKY ELEVATOR	SERIES PROJ. CX007 REV. 00	CX APPRV. M. AYBEY DATE	DRW. M. AKKUŞ DATE 21 FEB 07

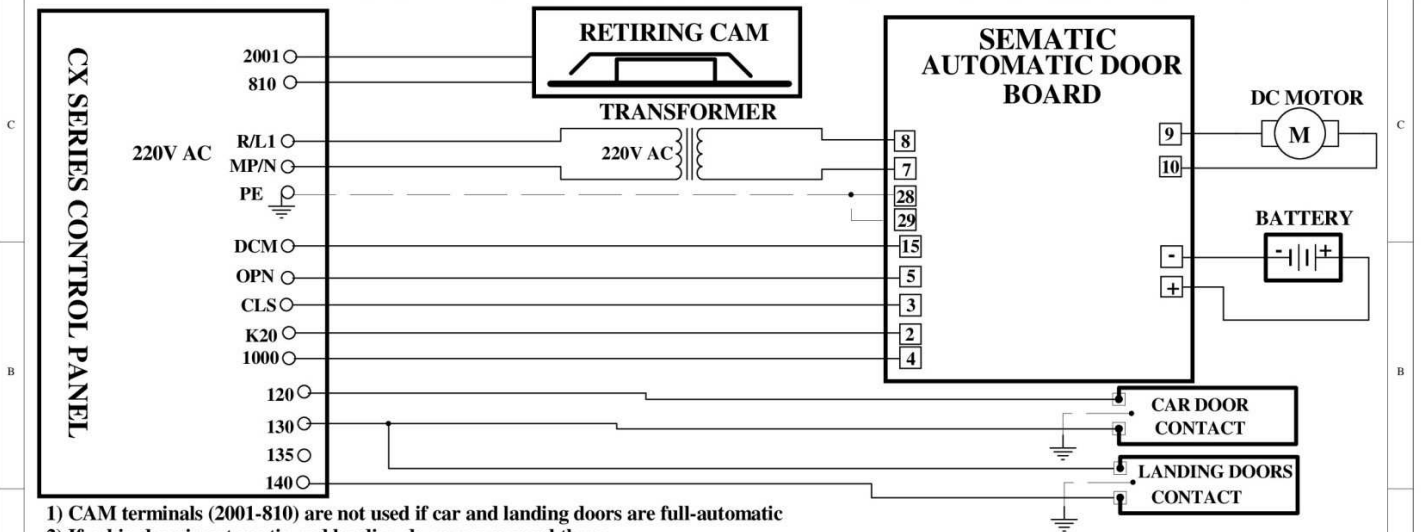
MERIH AND TROMP DOOR CONNECTION DIAGRAM FOR CX CONTROL PANEL



WITTUR HYDRA PLUS DOOR CONNECTION DIAGRAM FOR CX CONTROL PANEL



SEMATIC AUTOMATIC DOOR CONNECTION DIAGRAM FOR CX CONTROL PANEL



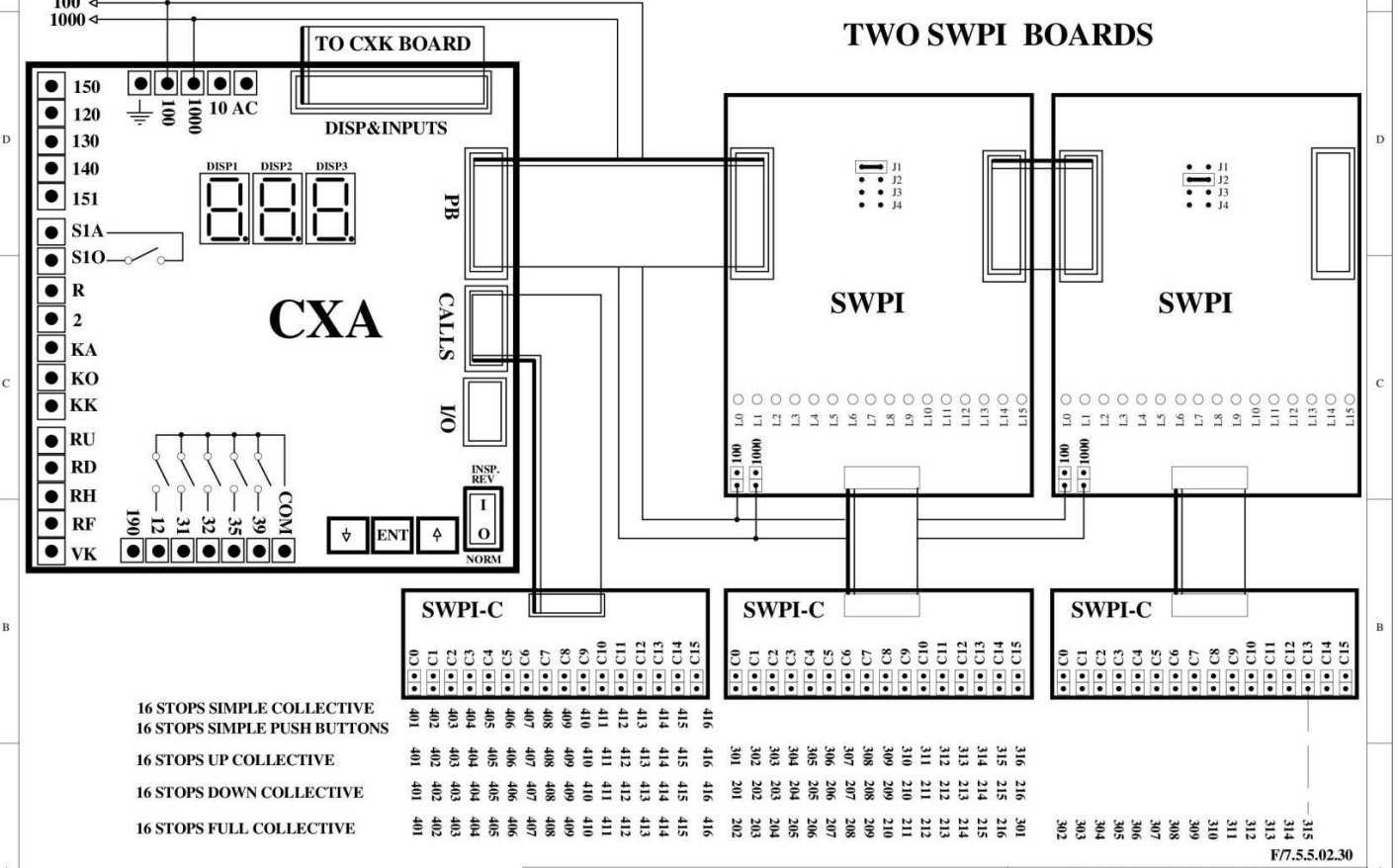
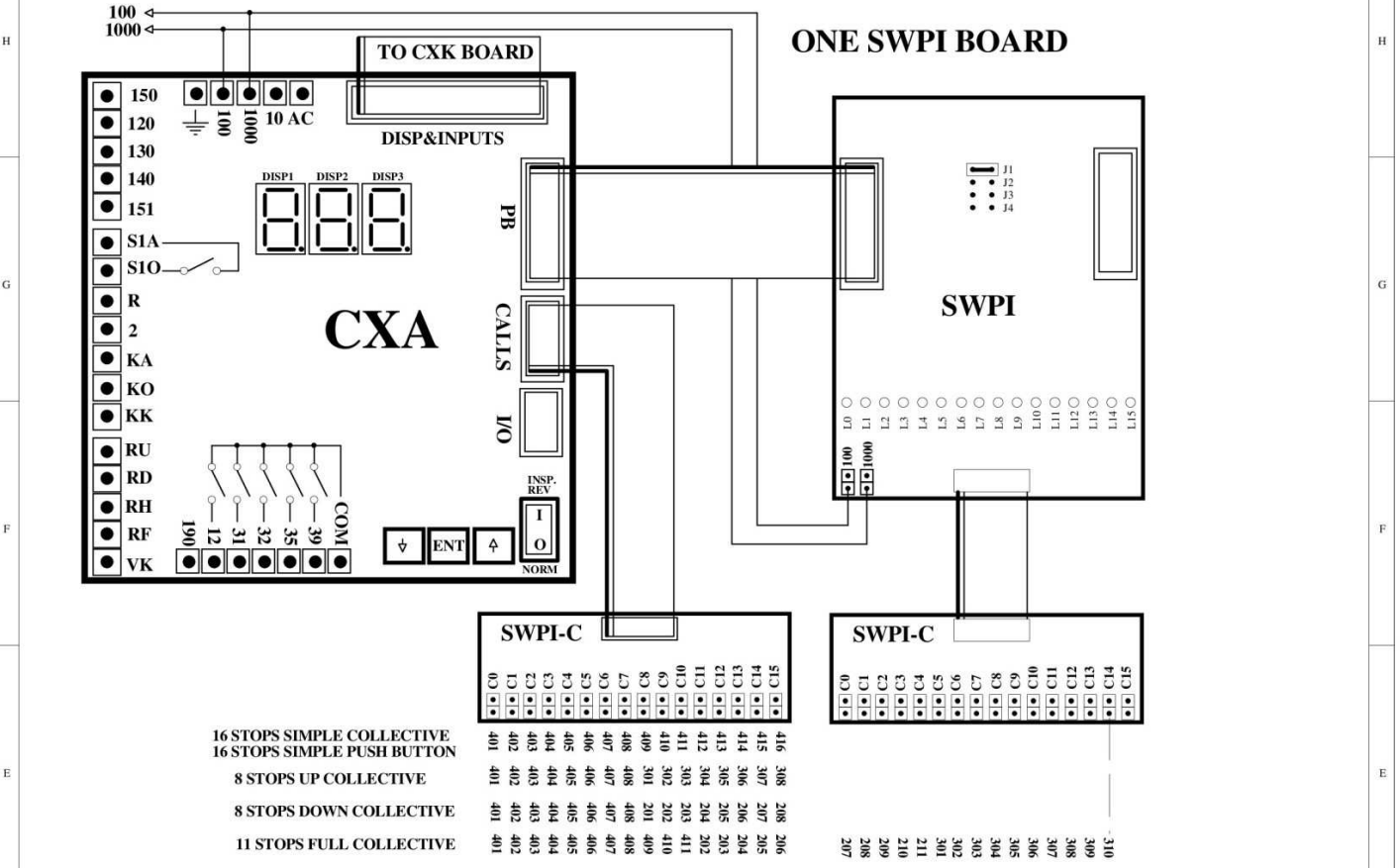
- 1) CAM terminals (2001-810) are not used if car and landing doors are full-automatic
- 2) If cabin door is automatic and landing doors are manual then:
 Landing door contacts are serially connected to 120-130 terminals.
 Car door contacts are serially connected to Car door contact (130-135) terminals.
 Landing door lock contacts are serially connected to Car door contact (135-140) terminals.

F/7.5.5.02.30

This document is a sample for applications. All information contained in these materials are subject to change by Aybey Elektronik without notice. Aybey Elektronik assumes no responsibility for any damage, liability, or other loss rising from these inaccuracies or errors.

MERIH, TROMP, HYDRA PLUS AND SEMATIC DOOR CONNECTION DIAGRAM			
SKY ELEVATOR	SERIES	DRW.	M. AKKUŞ
	CX		
	PROJ. CX063	APPRV. M. AYBEY	
	REV. 00	DATE	21 FEB 07

SWPI CALL REGISTER BOARD CONFIGURATIONS



F/7.5.5.02.30

This document is a sample for applications. All information contained in these materials is subject to change by Aybey Elektronik without notice. Aybey Elektronik assumes no responsibility for any damage, liability, or other loss rising from these inaccuracies or errors.

SWPI BOARD CONFIGURATIONS AND CONNECTION DIAGRAM			
SKY ELEVATOR	SERIES	CX	DRW. M. AKKUŞ
	PROJ.	CX008	APPRV. M. AYBEY
	REV.	00	DATE 21 FEB 07